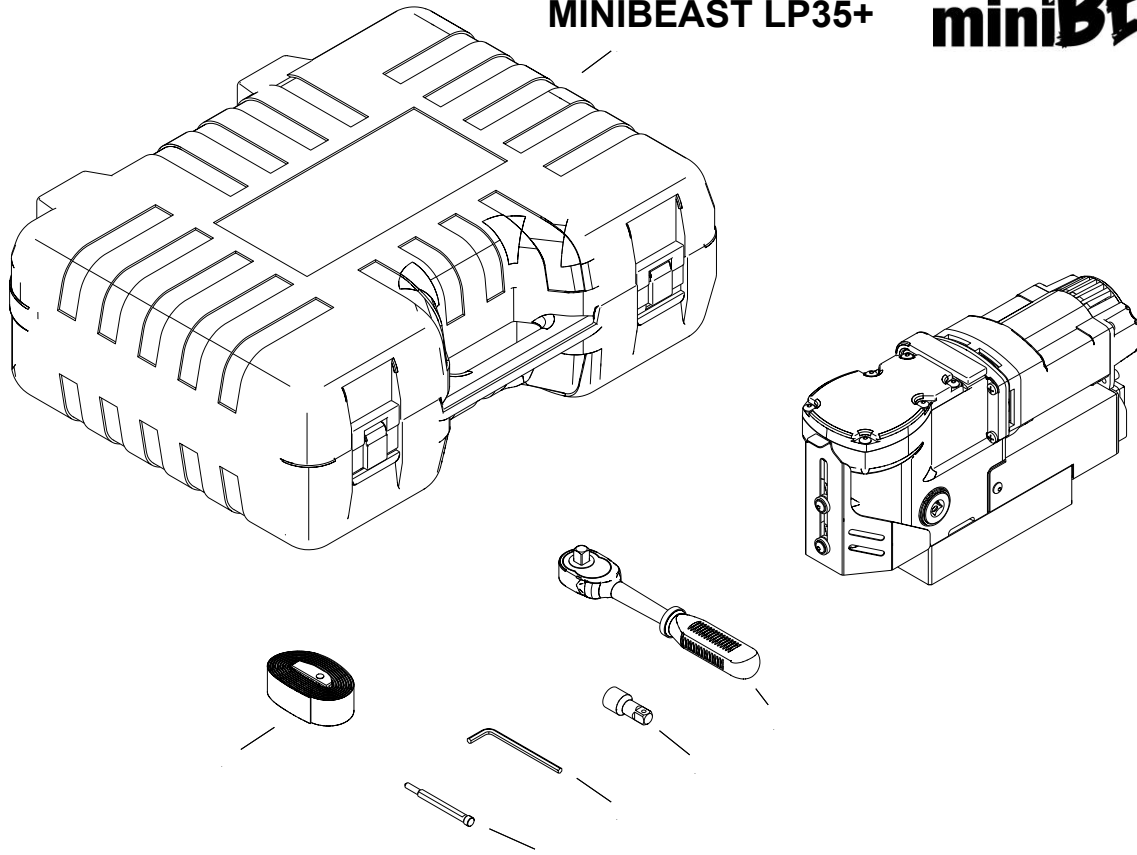


MINIBEAST LP35+

miniBEAST

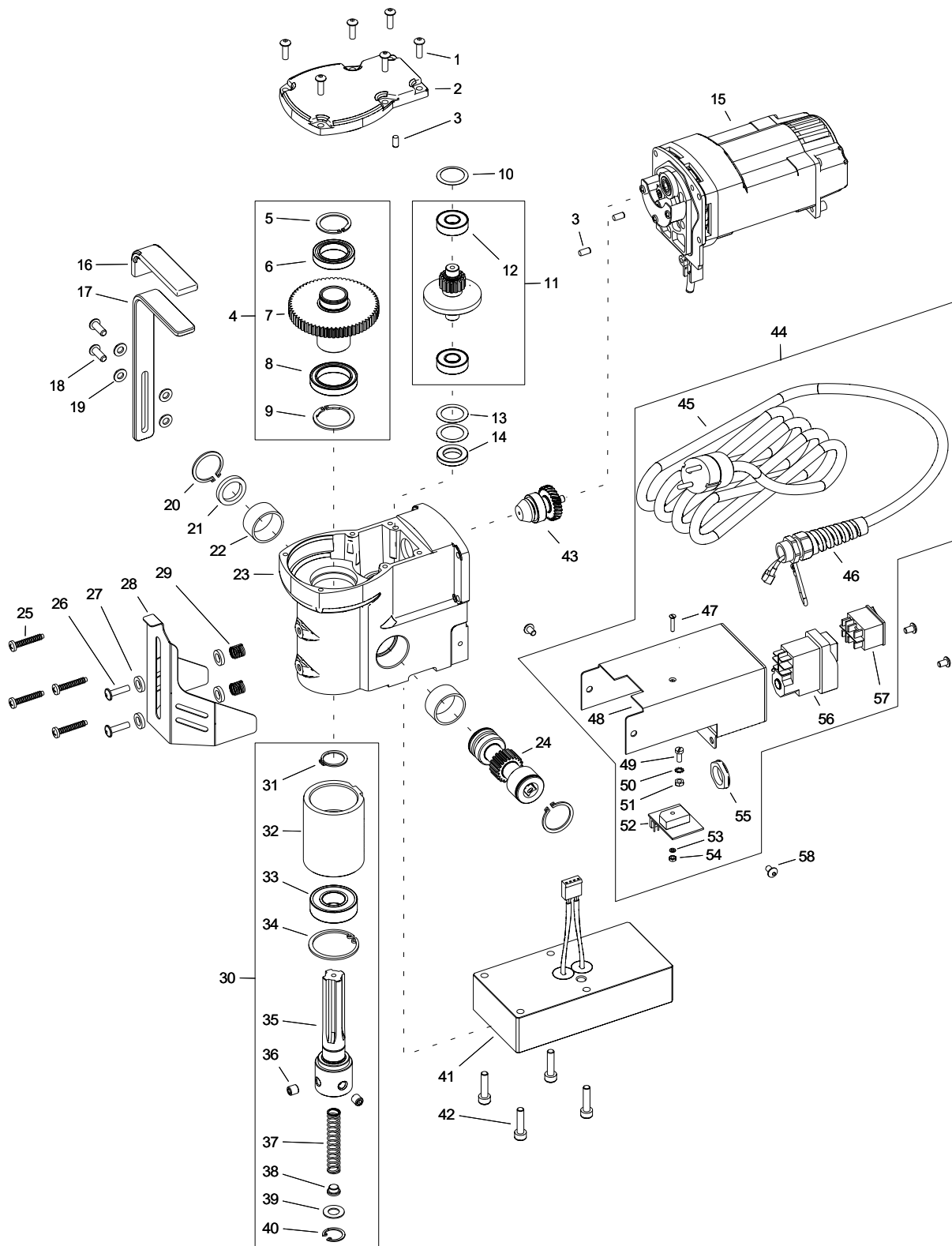


ITEM	PART NUMBER	DESCRIPTION	Q-TY
1	CASE-LP35P	PLASTIC BOX	1
2	JEI-STRAP	SAFETY STRAP 250	1
3	LP35P-A3	PILOT PIN	1
4	AIR45-24.3	4 MM HEX WRENCH	1
5	LP35P-A5	TORQUE STICK	1
6	LP35P-A6	RATCHET WRENCH 3-8	1

JEI DRILLING & CUTTING SOLUTIONS LTD

TEL: 00 44 1706 229490

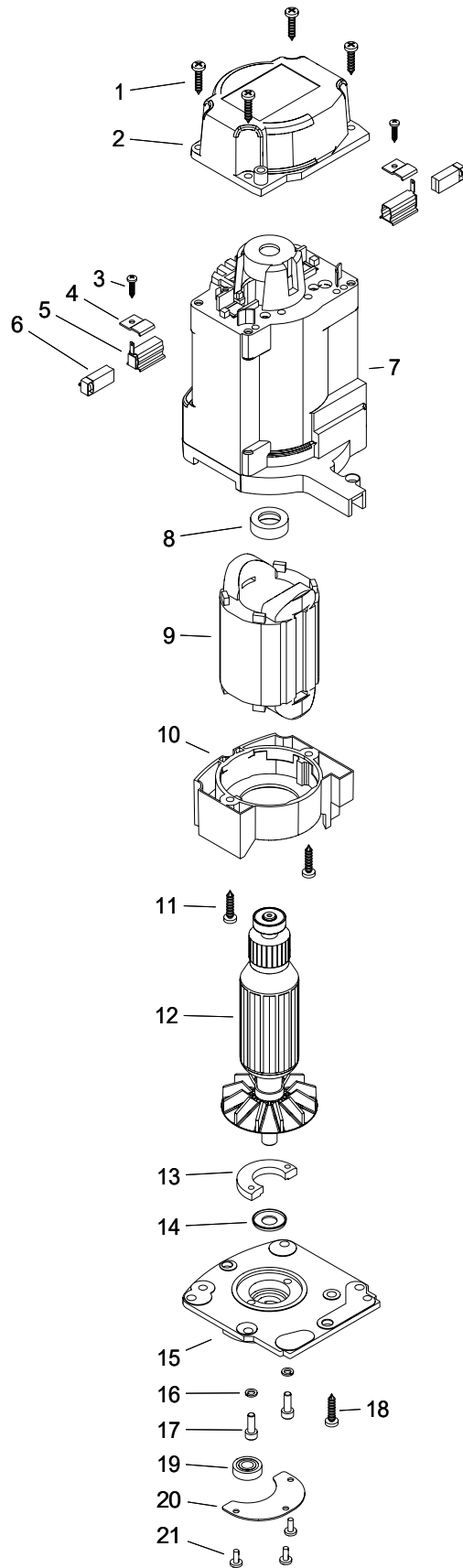
sales@jeisolutions.co.uk www.jeiu.com



ITEM	PART NUMBER	DESCRIPTION	Q-TY
1	AIR35-25	HEX SOCKET BUTTON HEAD SCREW M5x16	6
2	LP35P-2	GEARBOX COVER	1
3	JM201.26	DOWEL PIN 5n6x10	3
4	LP35P-4	GEAR z63 ASSY	1
5	AIR35-4.4	EXTERNAL RETAINING RING 25z TYPE A	1

ITEM	PART NUMBER	DESCRIPTION	Q-TY
6	LP35P-6	BALL BEARING 25x42x9	1
7	LP35P-7	GEAR z63	1
8	AIR35-4.1.3	BALL BEARING 30x42x7	1
9	MB2.2.2.8	EXTERNAL RETAINING RING 30z TYPE A	1
10	LP35P-10	DISC SPRING fi27.99xfi21.74x0.3	1
11	LP35P-11	PINION SHAFT z16 z32 ASSY	1
12	LP35P-12	BALL BEARING 12x28x8	2
13	LP35P-13	WASHER 20x28x0.1	2
14	LP35P-14	SETTING WASHER	1
15	LP35P-15	MOTOR ASSY - 120V	1
15	LP35P-15/2	MOTOR ASSY - 230V	1
16	AIR35-45	HANDLE COVER	1
17	LP35P-17	HANDLE	1
18	AIR35-27	HEX SOCKET BUTTON HEAD SCREW M6x16	2
19	AIR35-32	ROUND WASHER 6.4	4
20	MB4.14	EXTERNAL RETAINING RING 28z	2
21	JM201.62	SEAL 20x28x4	1
22	MB4.1.1.4	SELF-LUBRICATING SLEEVE 28.05x32x1	2
23	LP35P-23	BODY	1
24	LP35P-24	FEED SHAFT z20	1
25	JM201.31	SELF-TAPPING SCREW 5x30	4
26	MB4.18	HEX SOCKET ROUND HEAD SCREW WITH FLANGE M5x20	2
27	MB4.17	NYLON WASHER 8.1x14x3	4
28	LP35P-28	CHIP GUARD	1
29	MB4.12	SPRING 1x10x17.5	2
30	LP35P-30	QUILL ASSY	1
31	AIR35-3.10	EXTERNAL RETAINING RING 20z	1
32	LP35P-32	QUILL CARRIER	1
33	AIR35-3.8	BALL BEARING 20x42x12	1
34	MB4.2.2.12	INTERNAL RETAINING RING 42w	1
35	LP35P-35	SPINDLE	1
36	JM201.02.02.07	HEX SOCKET SET SCREW WITH FLAT POINT M8x8	2
37	AIR35-3.4	SPRING	1
38	AIR35-3.6	PLUNGER	1
39	07335	WASHER 18.8x10x1	1
40	0215067	INTERNAL RETAINING RING 19w	1
41	LP35P-41	ELECTROMAGNETIC BASE ASSY	1
42	JM201.02.10	BALL BEARING 9x26x8	1
43	LP35P-43	PINION SHAFT z11 z26 ASSY	1
44	LP35P-44	PANEL ASSY - 120V	1
44	LP35P-44/2	PANEL CONTROLLER ASSY - 230V	1
45	0012180	POWER CORD 120V 3x2.08 WITH STRAIN RELIEF	1
45	0014200	POWER CORD 230V 3x1.5 WITH STRAIN RELIEF ASSY	1
46	0151064	CABLE GLAND WITH STRAIN RELIEF PG11	1
47	LP35P-47	COUNTERSUNK HEAD SCREW M3x16	1
48	LP35P-48	ELECTRONIC CONTROLLER FRAME	1
49	LP35P-49	PAN HEAD SCREW M4x10	1
50	MB4.15	EXTERNAL TOOTH LOCK WASHER 4.3	1
51	HM40.7	HEX NUT M4	1
52	LP35P-52/2	ELECTRONIC MODULE SW=35 - 230V	1
52	LP35P-52	ELECTRONIC MODULE SW=35 - 120V	1

ITEM	PART NUMBER	DESCRIPTION	Q-TY
53	LP35P-53	SPRING WASHER 3.1	1
54	LP35P-54	HEX NUT M3	1
55	LP35P-55	STRAIN RELIEF NUT	1
56	35707.3-110	SWITCH START-STOP - 120V	1
56	35707.3-220	SWITCH START-STOP - 230V	1
57	35708	POWER SWITCH	1
58	LP35P-58	HEX SOCKET BUTTON HEAD SCREW M5x8	4



ITEM	PART NUMBER	DESCRIPTION	Q-TY
1	LP35P-M1	SELF-TAPPING SCREW 4x20	4
2	LP35P-M2	FEILD FRAME COVER	1
3	HM40.2.3.21	SCREW 3x13	2
4	JM201.03.12	BRUSH HOLDER PRESSURE PLATE	2
5	JM201.03.10	BRUSH HOLDER	2
6	JM201.03.11	MOTOR BRUSH 6x9x17	2
7	LP35P-M7	FILED FRAME	1
8	JM201.12MA	BEARING INSERT 19x7.5	1
9	LP35P-9/1	FIELD – 120V	1
9	LP35P-9/2	FIELD – 220V	1
10	LP35P-M10	FAN GUARD	1
11	LP35P-M11	SELF-TAPPING SCREW 4x20	2
12	JM201.2.3-110	ARMATURE – 120V	1
12	JM201.2.3-220	ARMATURE – 230V	1
13	LP35P-M13	GEARBOX COVER RING	1
14	LP35P-M14	SEAL	1
15	LP35P-M15	MOTOR COVER	1
16	LP35P-M16	SPRING WASHER 4.1	2
17	LP35P-M17	HEX SOCKET HEAD CAP SCREW M4x12	2
18	LP35P-M18	SELF-TAPPING SCREW 5x16	1
19	LP35P-M19	BALL BEARING 7x17x5	1
20	LP35P-M20	GEAR COVER	1
21	LP35P-M21	CROSS RECESSED PAN HEAD SCREW M3x8	3